

CABLE 371 RF: SMP S/T JACK + SMA STRAIGHT BULKHEAD JACK WITH O-RING RATED TO IP67/68 + Ø1.37MM CABLE

SPECIFICATIONS :

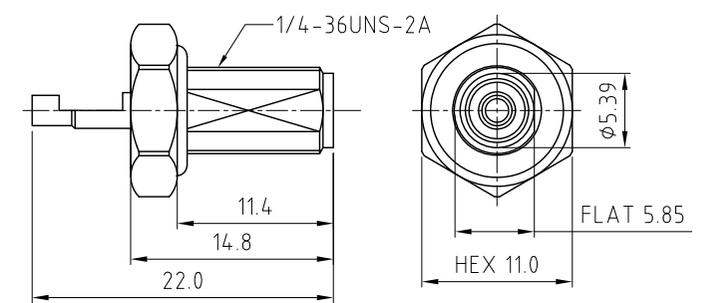
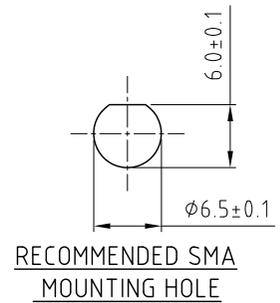
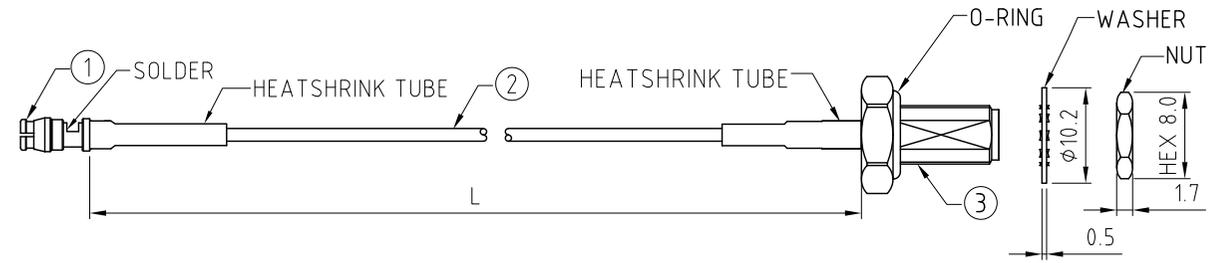
1. SMP STRAIGHT JACK, P/N: RFCT-SMP004-F37-1.
2. Ø1.37MM COAXIAL CABLE, COLOR: BLACK.
3. SMA STRAIGHT BULKHEAD JACK WITH O-RING RATED TO IP67/68, P/N: RFCT-SMA002-F78.

ENVIRONMENTAL:

- A. BULKHEAD MOUNTED CONNECTOR (RFCT-SMA002-F78) TESTED TO THE FOLLOWING SPECIFICATION:
- i. IP6X - DUST TIGHT - NO PARTICLE INGRESS.
 - ii. IPX7 WATERPROOF FOR 30 MINUTES UP TO 1 METER UNDERWATER.
 - iii. IPX8 WATERPROOF FOR 48 HOURS AT 1 METER UNDERWATER.
 - iv. IPX8 WATERPROOF FOR 12 HOURS AT 5 METERS UNDERWATER.
 - v. PRESSURE TEST - 1 BAR FOR 10 SECONDS.

NOTES:

1. WORKING FREQUENCY RANGE: DC - 3GHz
2. OPERATING TEMPERATURE: -40°C TO +125°C
3. IMPEDANCE: 50 OHM.



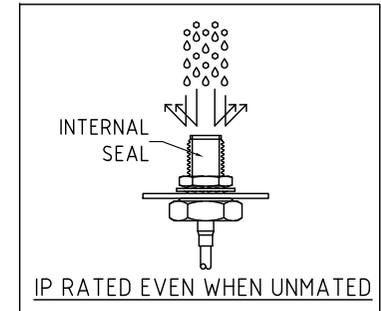
SMA DETAIL DRAWING

HOW TO ORDER
CABLE 371 RF - X X X X - X - 1

"L" LENGTH IN MM:
eg: 100MM = 0100
(MIN. 0050-MAX.2000)
STANDARD = 0100, 0150, 0200)
Tolerance: 50mm: ±2mm
51-200mm: ±5mm.
201-500mm: ±7mm.
>500mm: ±10mm.

CABLE SIZE:
1 = Ø1.37MM CABLE, COLOR: BLACK

WASHER AND NUT OPTIONS:
BLANK = SEPARATELY PACKED (STANDARD)
A = ALL ASSEMBLED WITH CONNECTOR



REV. DATE & DRN
1.0 11/17/19 - NFW RELEASE
1.1 28/07/20 - NFW
1.2 08/07/23 - NFW
1.3 24/03/24 - CC
ADD IP RATING VIEW

Scale: NTS	THIRD ANGLE	Unstated Tolerances:
Drawn: CC		.X N/A .XX N/A .XXX N/A ANGLES N/A
App'd: XXX	Title CABLE ASSEMBLY	
Date: 24 MAR. '24	Revision: 1.3	Unit: mm



IP Rated RF Products www.gradconn.com

THIS DRAWING IS CONFIDENTIAL AND MUST NOT BE COPIED OR DISCLOSED WITHOUT WRITTEN CONSENT

Type: Cable 371 RF
CABLE 371 RF
Drawing Number:
Sheet 1 of 1
Drawing © E and O E